

RBK 825/835/885/PVS15

P/N : 300831-101

SUBREV : H

DRAWN BY : C THOMSON

DATE : 22 SEP 2011

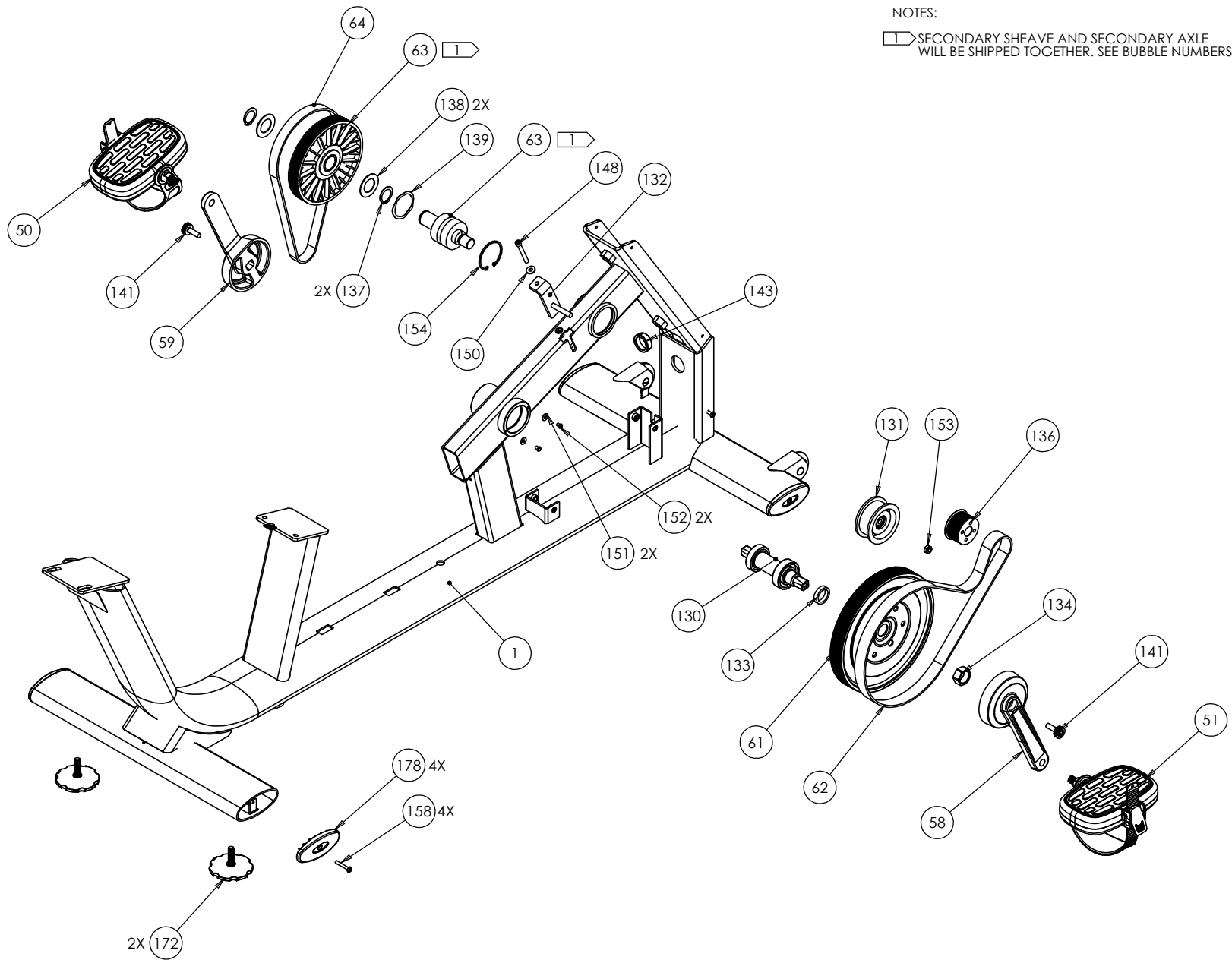
SHEET 1 OF 9

4

3

2

1



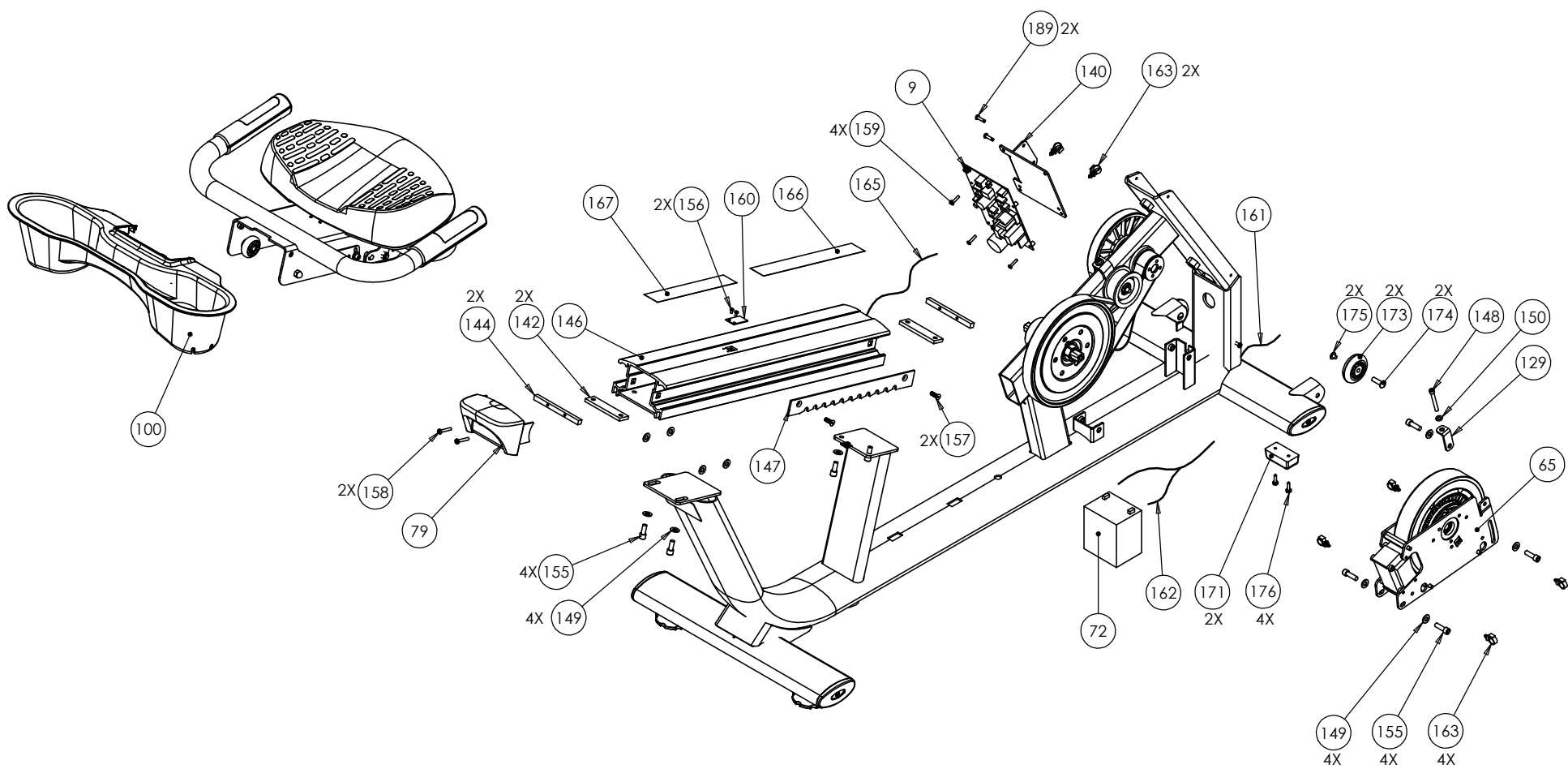
NOTES:
 [Secondary Sheave and Secondary Axle] SECONDARY SHEAVE AND SECONDARY AXLE WILL BE SHIPPED TOGETHER. SEE BUBBLE NUMBERS 63.

4

3

2

1

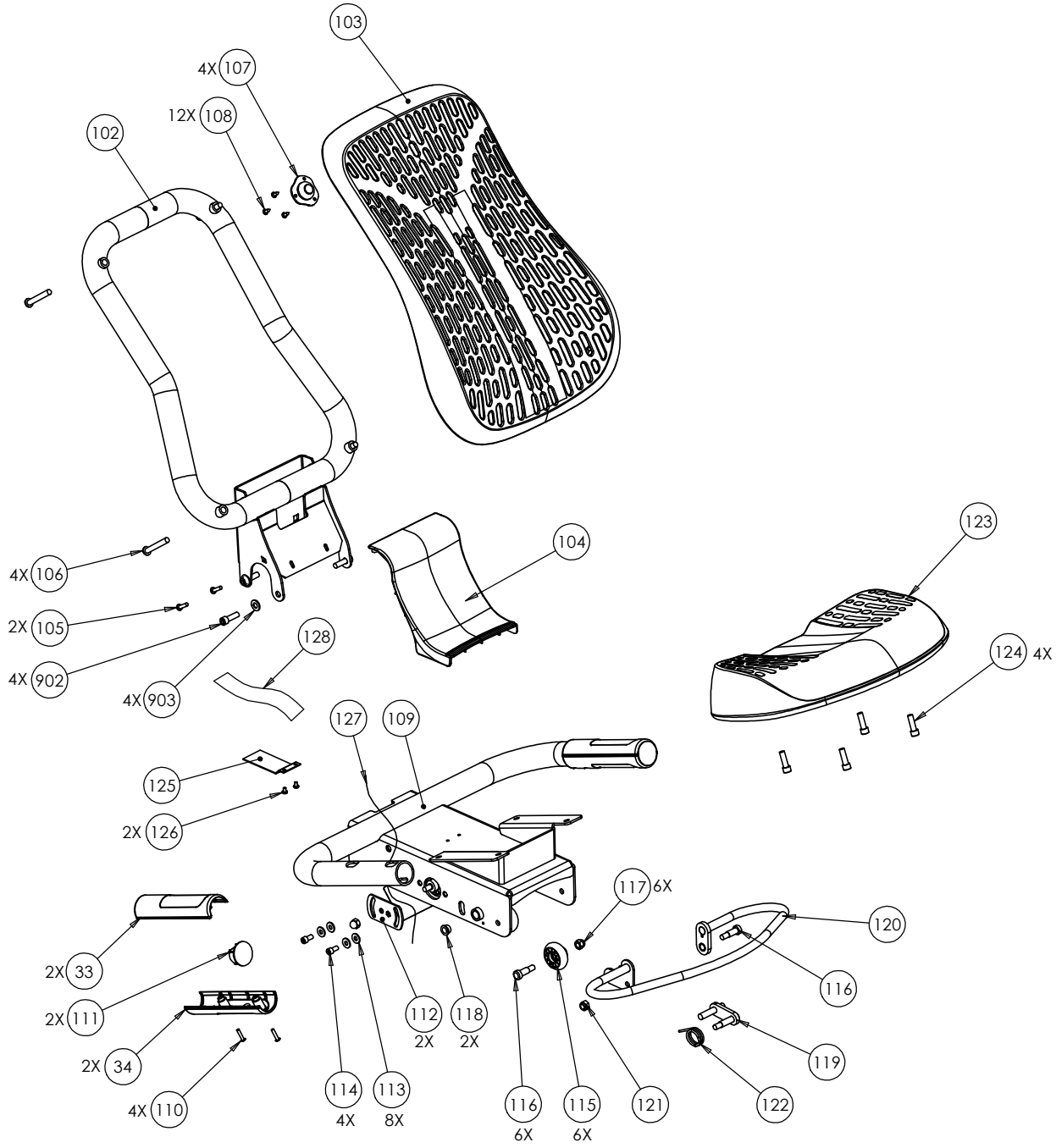


4

3

2

1

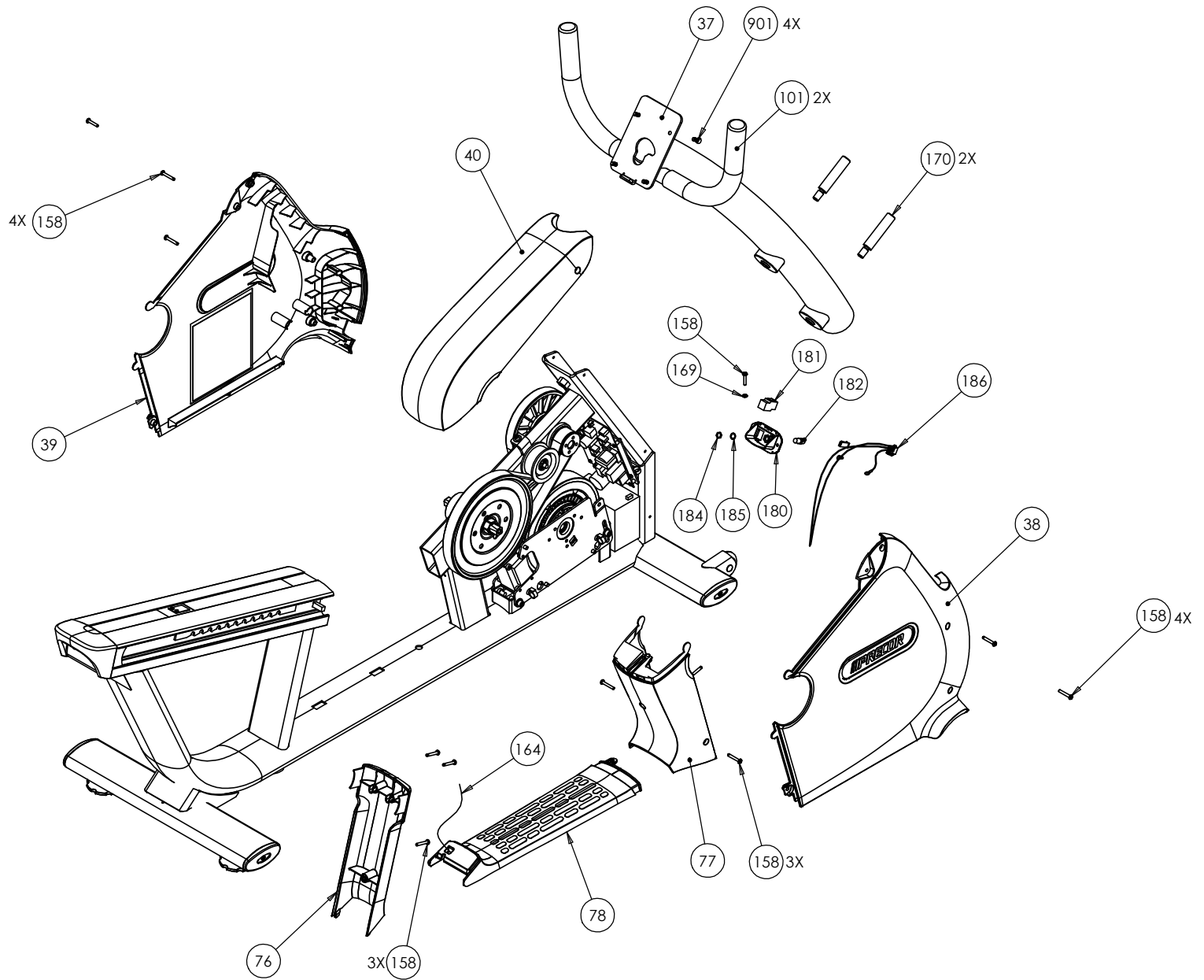


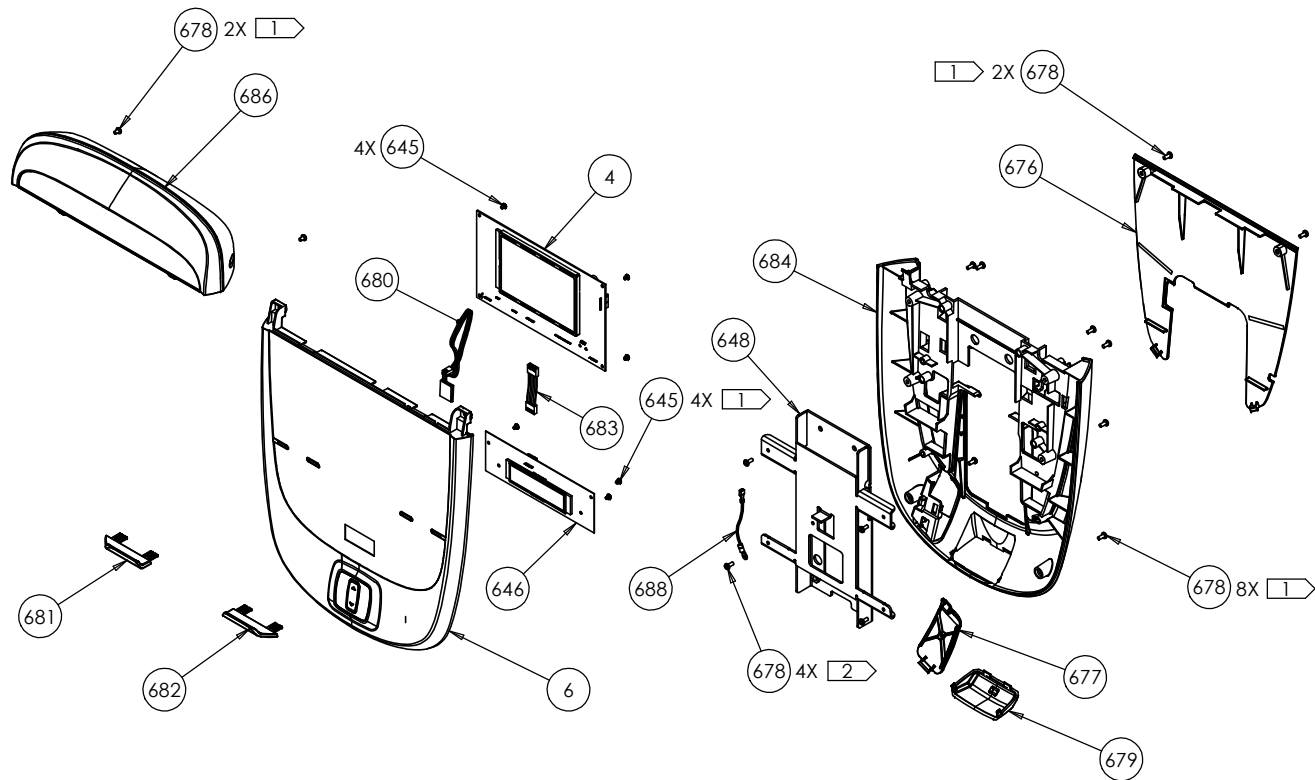
4

3

2

1





RBK 825 ONLY

NOTES:

[1] TORQUE TO 10 IN-LB ± 1 IN-LB.

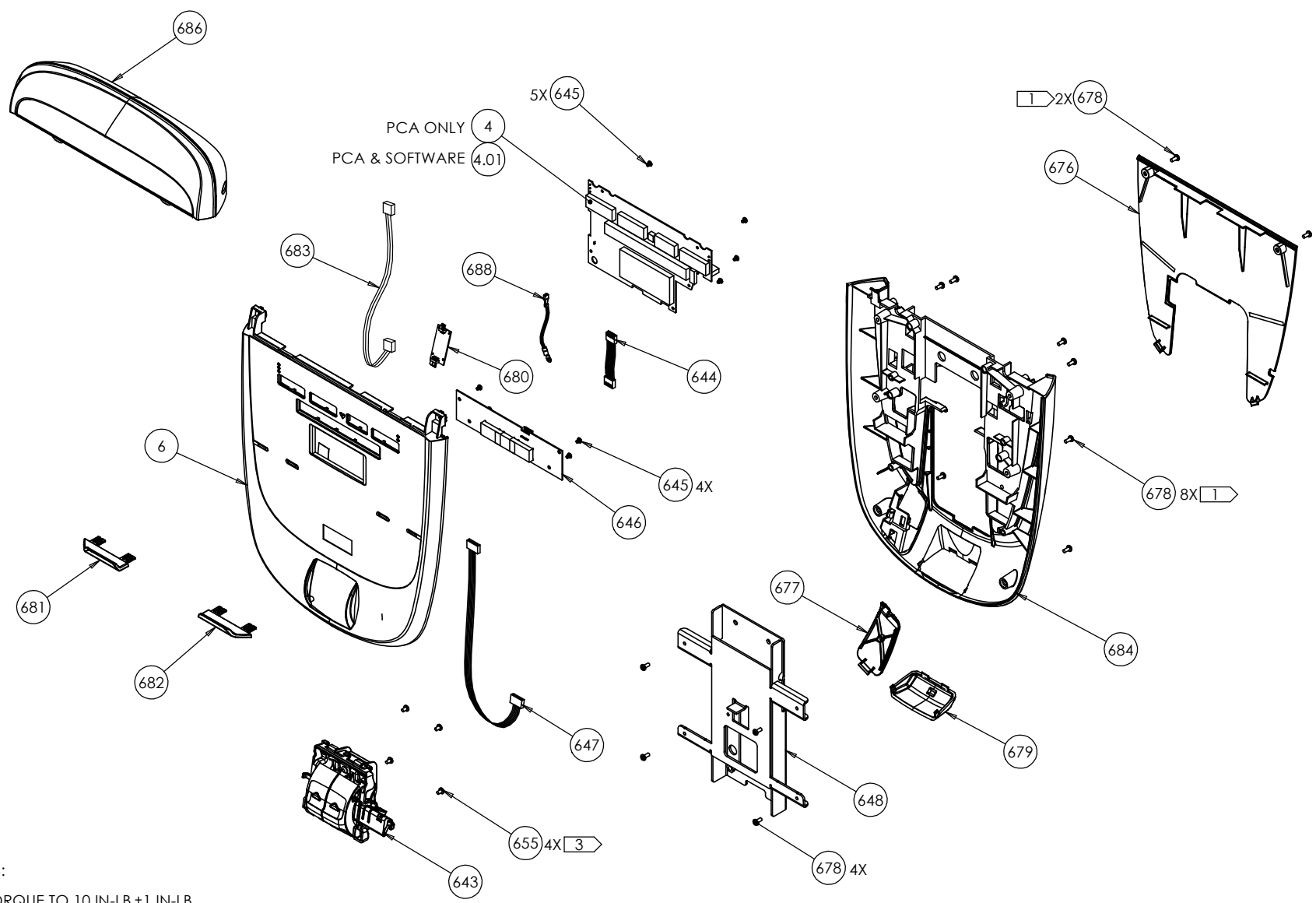
[2] TORQUE TO 19 IN-LB ± 1 IN-LB.

4

3

2

1

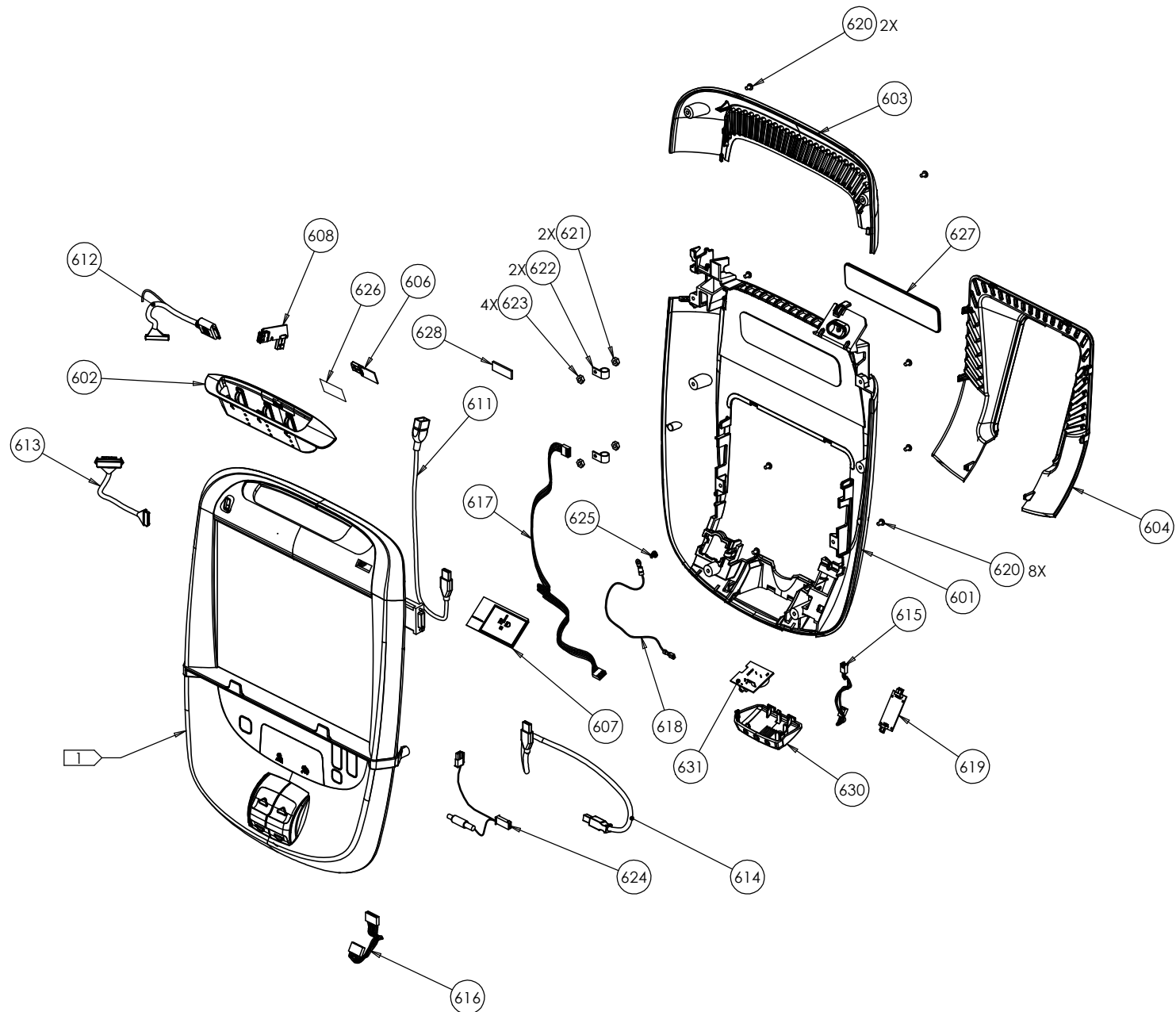


PCA ONLY (4)
 PCA & SOFTWARE (4.01)

RBK 835 ONLY

NOTES:

- 1 TORQUE TO 10 IN-LB ±1 IN-LB.
- 2 TORQUE TO 19 IN-LB ±1 IN-LB.
- 3 TORQUE TO 6 IN-LB, MAX.



RBK 885 ONLY

NOTES:

1 THIS IS A COMPLETE DISPLAY ASSEMBLY, PACKAGED FOR SHIPPING.
 ORDER BUBBLE #650 FOR WARRANTY REPLACEMENTS, OR ANY RELATED PART NOT SHOWN SEPARATELY.
 ORDER BUBBLE #600 FOR PURCHASED REPLACEMENTS, OR ANY RELATED PART NOT SHOWN SEPARATELY.

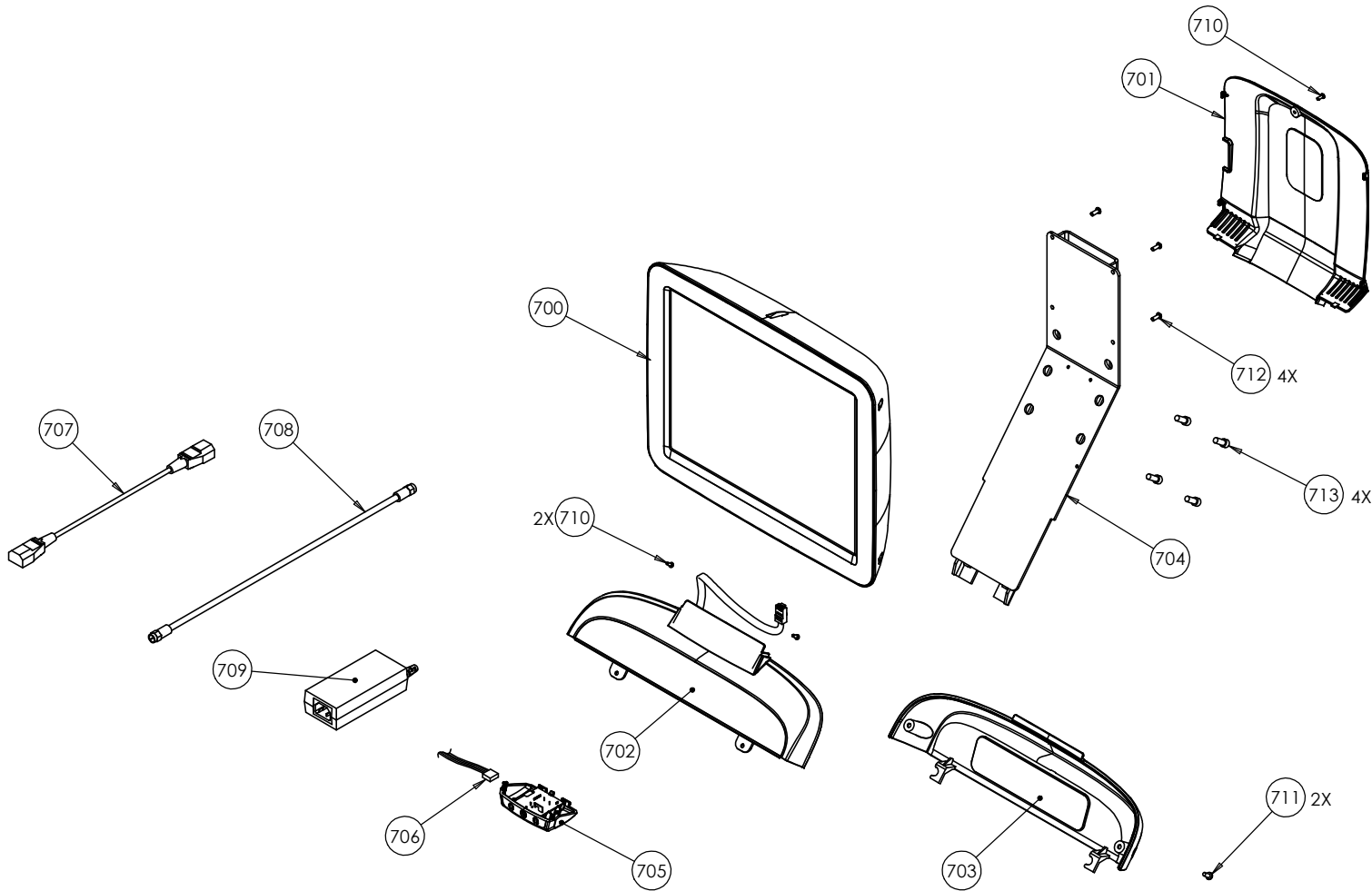
PAGE	OF	DWG. NO.	SUBREV
8	9	300831-101	H

4

3

2

1



PVS15

RBK 825 (serial code AXHG + AGLG + AA EY) W/O Cap + PVS

Part Number	Description	Bubble Number
300590-103	WELDMENT, FRAME, RECUMBENT	1
59219-101	DISPLAY HOUSING, P20, UBK/RBK, ASSY	6
49445-102	ASSY, LOWER PCA & SW, LCSPAM BIKE,	9
35700-103	GRIP, HHR, TOP, RBK10, BLACK, FLIP	33
35701-103	GRIP, HHR, BOTTOM, RBK10, BLACK, F	34
300553-101	ASSEMBLY, DISPLAY MAST, RECUMBENT	37
300884-102	ASSY, COVER, RECUMBENT, RIGHT	38
300883-102	ASSY, COVER, RECUMBENT, LEFT	39
300585-101	COVER, RECUMBENT, TOP	40
300527-105	PEDAL, BIKE, LEFT	50
300527-106	PEDAL, BIKE, RIGHT	51
300525-102	CRANK, BIKE, RIGHT	58
300525-101	CRANK, BIKE, LEFT	59
45440-103	PULLEY, INPUT	61
10217-135	BELT, DRIVE, 400J10 POLY V	62
58026-101	CS KIT, SECONDARY SHEAVE/AXLE UBK 1	63
10217-145	BELT, DRIVE, 300J8 POLY V	64
300522-101	GENERATOR, BIKE	65
12258-040	BATTERY, SLA, 12V, 4AH, .187 TABS	72
300588-101	COVER, WATERFALL CAP	76
300586-101	COVER, RECUMBENT, WATERFALL	77
300587-101	COVER, KICKPLATE	78
300589-101	COVER, RAIL CAP	79
300582-101	CUP HOLDER, RECUMBENT	100
300805-116	GRIP, HANDLEBAR, PLASTI-SOL, TEXTURE	101
300557-103	WELDMENT, SEAT BACK, PAINTED	102
300548-101	ASSEMBLY, FLEX MOUNT	103
300581-101	COVER, SEAT BACK BRACKET	104
MGCN019-050	SCREW, MACHINE, 10-24X1/2, PANHD, P	105
TCNN031-225	SCREW, BTHD, 5/16-18X2.25, SS	106
300607-101	FLEX MOUNT, SEAT BACK	107
PBTN016-050	SCREW, S/T, #8X1/2, PANHD, PHIL, BLK SHA	108
300566-101	WELDMENT, SEAT CARRIAGE	109
TCNN016-075	SCREW, BTHD, 8-32X.75, SS	110
300532-101	ENDCAP, HANDLEBAR	111
300834-101	WELDMENT, ECCENTRIC PLATE, STEEL	112
WNCN026-006	WASHER, FLT, 1/4X.625X.063, ZN	113
CAMN025-050	SCREW, SKHD, 1/4-20X0.50, ZN (MECH PLA	114
38578-102	WHEEL, 846R	115
RANN031-075	SCREW, SHLD, 5/16 X 3/4, HEXSC,	116
KBFCN031-053	NUT, ACORN, 5/16-18, CENTERLOCK	117
10043-109	BEARING FLANGE ID-.377, OD-.502	118
300572-102	WELDMENT, RELEASE PIVOT	119
300547-101	ASSEMBLY, RELEASE HANDLE	120
KACN031-016	LOCKNUT, HALF, 5/16-18, ZN	121
300556-101	SPRING, TORSION, RECUMBENT SEAT CAR	122
300551-101	SEAT BOTTOM, RECUMBENT	123
CAMN031-100	SCREW, SKHD, 5/16-18X1, ZN (MECH PLATI	124
45628-102	CABLE CLAMP, SEAT, RECUMBENT, PT	125

MGCN016-025	SCREW,MCH,8-32X1/4,PANHD,PHIL,	126
45840-024	ASSY,CBL,HHHR,FFC TO GRIPS,22AWG,24	127
45504-015	ASSY,CBL,FFC,04 COND,28AWG,15"	128
300520-101	TENSIONER, GENERATOR	129
300528-101	ASSEMBLY, INPUT SHAFT	130
300518-101	IDLER, MODIFIED	131
300519-101	TENSIONER, IDLER	132
300517-101	SPACER, INPUT SHAFT	133
300515-101	LOCKNUT, INPUT PULLEY	134
45450-105	SHEAVE, SECONDARY AXLE	136
ABHN025-002	RING, RETAINING, 25MM EXTERNAL	137
12089-103	26MM THRUST BEARING IGUS,LTM-2644-0	138
WAKNN044-004	WASHER, WAVE, SSB-0205	139
301649-103	BRACKET, LPCA, BIKE	140
300526-101	BOLT, CRANK RETAINER	141
300563-101	PLATE, RECUMBENT RAIL NUT	142
10178-110	BUSHING,SNAP-IN,1.25OD X 1.0ID	143
300564-101	BAR, RECUMBENT SEAT STOP	144
300561-102	RAIL, SEAT, RECUMBENT	146
300565-102	PLATE, RAIL LOCK	147
CAMN025-200	SCREW,SKHD,1/4-20X2,ZN (MECH PLATIN	148
WBCN031-007	WASHER,FLT,5/16X.688X.065, ZN	149
WNCN026-006	WASHER,FLT,1/4X.625X.063,ZN	150
WACN019-005	WASHER, FLT, #10X.500X.049,ZN	151
MGCE019-025	SCREW, P/H, MACH, 10-24 X 1/4, NYLO	152
KDCN031-025	LOCKNUT, FULL 5/16-18, ZINC	153
ADHN052-002	RING, RETAINING, INTERNAL (52MM)	154
CATN031-075	SCREW,SKHD,5/16-18X0.75,BLK SHARPER	155
MGCN013-025	SCREW,MCH,6-32X1/4,PANHD,PHIL,	156
MACCN025-075	MACHINE SCREW, 1/4-20, FLAT HEAD,	157
PANTA019-125	SCREW,S/T,#10-24X1.25, PANHD,PHIL,T	158
MGCN016-075	SCREW,MCH,8-32X3/4,PANHD,PHIL,	159
45854-101	CABLE CLAMP, EXTR, RECUMBENT, PT	160
44905-072	ASSY,CBL,MOD,8P8C,1-1,SILVER,72"	161
45250-021	ASSY,CBL,2C,18AWG,QK DISC,21"	162.01
45250-015	ASSY,CBL,2C,18AWG,QK DISC,15"	162.02
12414-101	CABLE CLAMP INSERT,SNAP IN	163
45018-132	ASSY,CBL,HHHR,FFC TO DISPLAY,24AWG,	164
300535-101	LABEL, FRONT SEAT RAIL, RECUMBENT	166
300536-101	LABEL, REAR SEAT RAIL, RECUMBENT	167
WAMCN019-002	WASHER, LOCK, EXT TOOTH, #10	169
300521-102	BOLT, MAST MOUNTING	170
31074-104	FOOT, FIXED,	171
39916-103	FOOT, ADJUSTING,NO LOGO	172
301665-101	WHEEL,TRANSPORT, 19X60, BLACK	173
KBKCN025-100	NUT,BARREL,STEEL,TRUSS HEAD,UNC,1/4	174
MCCN025-031	SCREW,1/4-20 X 5/16, MACH, TRUSS PH	175
PKCN019-075	SCREW,S/T,#10X.75,WSHHXHD,ZN	176
300531-101	ENDCAP, ELLIPTICAL	178
58048-101	KIT, HEART RATE UPGRADE, P30	376
MGCN013-025	SCREW,MCH,6-32X1/4,PANHD,PHIL,	645
300471-401	PCA,METRICS,LCD MODULE,P20	646

57110-101	KIT,P20,BIKE,ENG W/O TOP CAP,W-SHIP	675
300278-101	PLASTIC, SERVICE COVER, DISPLAY, P2	676
300283-101	PLASTIC, HR DOOR, P40/P20	677
MGCN016-038	SCREW,MCH,8-32X3/8,PANHD,PHIL,	678
300233-101	ASSY,HEART RATE,5.5KHZ,5V,RECEIVER	680
300282-103	SUPPORT,BOOK,LEFT,P40/P30/P20	681
300282-104	SUPPORT, BOOK, RIGHT, P40/P30/P20	682
300462-003	ASSY,CBL,6C .1 CTR, 1-6,SN,3"	683
300277-102	PLASTIC, REAR, DISPLAY ,P40/P20	684
40010-008	ASSY,CBL,1C,20AWG,#8 RING/.110X032	688
CX300335-103	WELDMENT,BRACKET,PVS-PRECISION,VESA	704
CX300314-103	ASSY, HEAD PHONE JACK, PVS-PRECISIO	705
CX47668-072	PWR CORD,125VAC,10A,NEMA 5-15/IEC 6	707
CX40113-162	ASSY,CABLE,COAX,RG6/U,F TYPE M/M,75	708
CX300395-101	AC ADAPTER,PVS,UNIVERSAL,90-264VAC/	709
MGCN016-038	SCREW,MCH,8-32X3/8,PANHD,PHIL,	711
CAMN025-063	SCREW,SKHD,1/4-20X5/8,ZN (MECH PLAT	713
MACCN025-062	MACHINE SCREW, 1/4-20, [FLAT HEAD,	901
CAMN031-075	SCREW,SKHD,5/16-18X0.75,ZN (MECH PL	902
WBCN031-007	WASHER,FLT,5/16X.688X.065, ZN	903